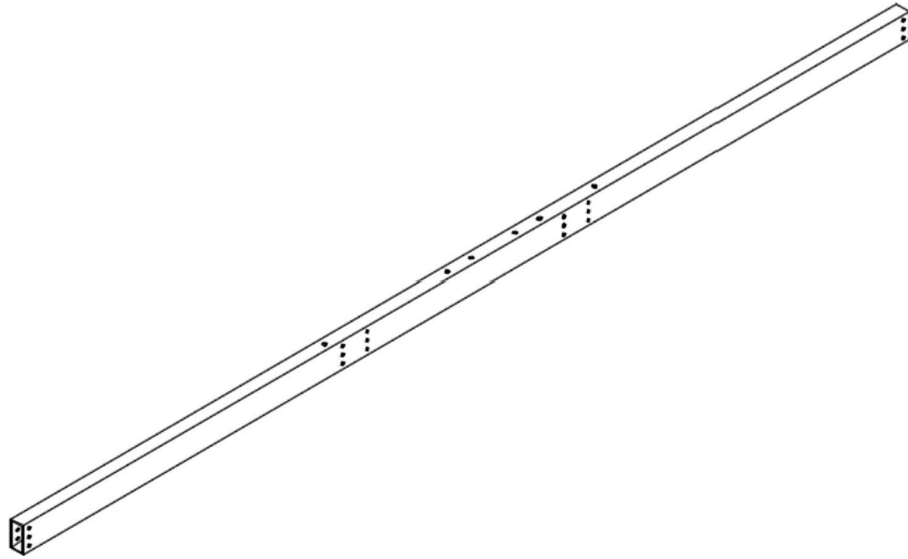
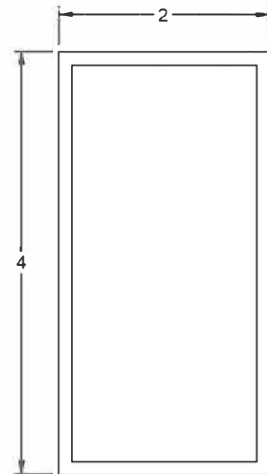


Avans Series Side Rail



PART NUMBER	DESCRIPTION	QTY IN KIT
Avr202301	Avans 8.0 & 10.0 Series Side Rail, Mill Finish	2



PART NUMBER	MATERIAL	WEIGHT
Avr202301	6061 or 6005A series Aluminum	20.64 Lbs